

## EXstatic 340 universal sensor holder



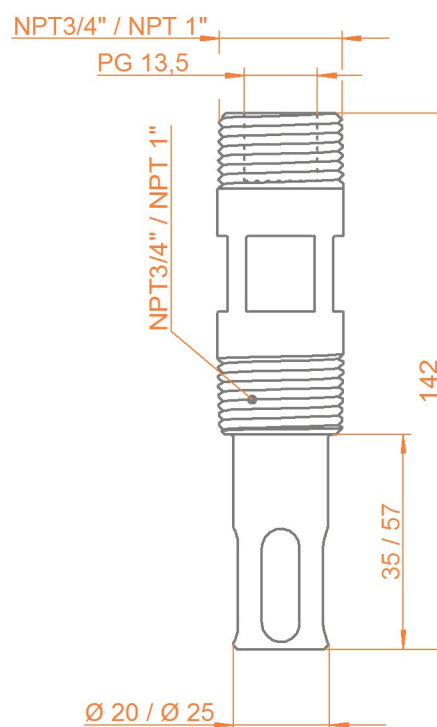
- » Replacement for US-sensors with NPT-thread
- » Stainless steel AISI 316L / 1.4404 / PVDF / PP
- » Sealing compounds EPDM / FPM (Viton) / FFKM (Kalrez)
- » Process connection NPT 3/4" or 1"
- » Optional sensor protection cage
- » Up to 10 bar and 140 °C

Static sensor holder made from stainless steel or plastic for permanent installation of Ø12mm/120mm-sensors in tanks or pipes mainly in established 3/4" NPT or 1" NPT sockets.

### Specifications

max. pressure	10 bar
max. temperature	140°C
material	1.4404 / 316L, PP or PVDF
sealing material	EPDM, FPM (Viton) or FFKM (Kalrez)
certificates	material, sealing compound
option	with protection cage or without protection cage
process connection	NPT 3/4" or NPT 1"
sensors	120mm / PG13,5

### Dimensions



## EXstatic 340 universal sensor holder



Protective cage



Usable for industrial applications



Sensor adaptation of  $\varnothing 12\text{mm}$  PG13.5 for installations with NPT threads

### Ordercode

Code	Material (wetted parts)	Delivery
04	Stainless steel 1.4404 / 316L Ra0,78	2 weeks
PP	PP	2 weeks
PV	PVDF	4 weeks

Code	Process connection	Delivery
N10	MNPT 1"	2 weeks
N34	MNPT 3/4"	2 weeks

Code	Sealing material (wetted sealings)	Delivery
EPD	EPDM/FDA/USP VI	2 weeks
FPM	FPM (Viton)	2 weeks
FKM	FFKM (Kalrez)	2 weeks

Code	Protection cage	Delivery
0	without	2 weeks
1	with protection cage	2 weeks