

## EXstatic 315 15°- angled process connection



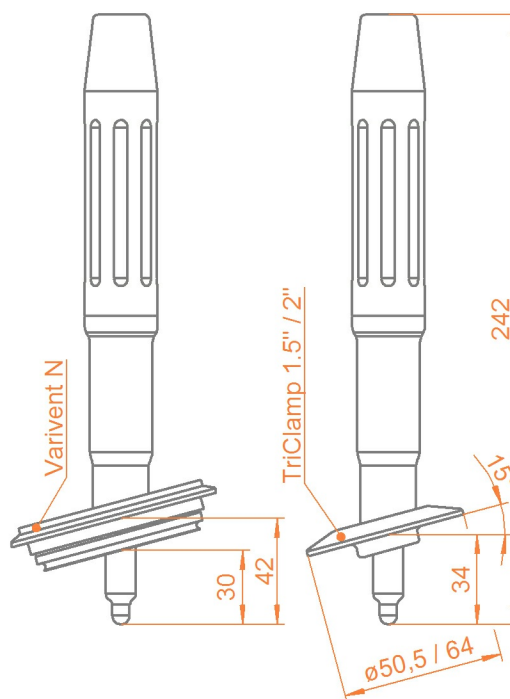
- » Designed according to hygienic criteria
- » Surface finish Ra<0,78 or Ra<0,37
- » Stainless steel AISI 316L / 1.4404
- » EPDM sealings with FDA and USP VI approval
- » Up to 10 bar and 140 °C
- » Protection cap for cable connection
- » 15° angled process connection

Static sensor holder with 15°-angled process connections for permanent installation of Ø12mm/120mm-sensors in tanks or pipes mainly in hygienic applications

### Specifications

|                      |  |
|----------------------|--|
| max. pressure        | 10 bar   |
| max. temperature     | 140°C  |
| material             | 1.4404 / 316L  |
| surface              | Ra<0,78 or Ra<0,37   |
| sealing material     | EPDM / FDA / USP VI or FPM (Viton)   |
| material cable guard | PA6.6 GF30   |
| certificates         | material, surface, sealing material  |
| option               | without protection cage  |
| sensors              | 120mm / PG13,5   |
| process connection   | TriClamp 1.5" (Ø50,5), TriClamp 2" (Ø64), Varivent N oder Neumo BioControl D50 |

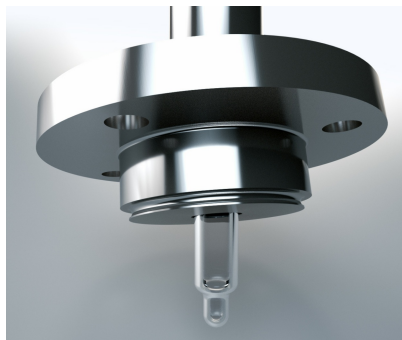
### Dimensions



## EXstatic 315 15°- angled process connection



Process connection TriClamp 1.5" / 15° slanting



Process connection NEUMO BioControl D50 / 15° slanting



Installation example: left EXstatic 310, right EXstatic 315

### Ordercode

| Code | Material (wetted parts)              | Delivery |
|------|--------------------------------------|----------|
| 0408 | Stainless Steel 1.4404 / 316L Ra0,78 | 2 weeks  |
| 0404 | Stainless Steel 1.4404 / 316L Ra0,37 | 4 weeks  |

| Code | Sealing material (wetted sealings) | Delivery |
|------|------------------------------------|----------|
| EPD  | EPDM/FDA/USP VI                    | 2 weeks  |
| FPM  | FPM (Viton)                        | 2 weeks  |

| Code | Sensor type         | Delivery |
|------|---------------------|----------|
| 120  | 120mm PG 13,5 Ø12mm | 2 weeks  |

| Code | Process connection           | Delivery |
|------|------------------------------|----------|
| VARN | Varivent N DN40-125          | 4 weeks  |
| TC15 | TriClamp 1-1,5" (OD Ø50.5mm) | 2 weeks  |
| TC20 | TriClamp 2.0 (OD Ø64mm)      | 2 weeks  |
| BCT5 | NEUMO BioControl D50         | 4 weeks  |

| Code | Immersion length              | Delivery |
|------|-------------------------------|----------|
| 034  | 34mm under process connection | 2 weeks  |

| Code | Protection cage | Delivery |
|------|-----------------|----------|
| 0    | without         | 2 weeks  |