

EXtract 830M hygienic installation



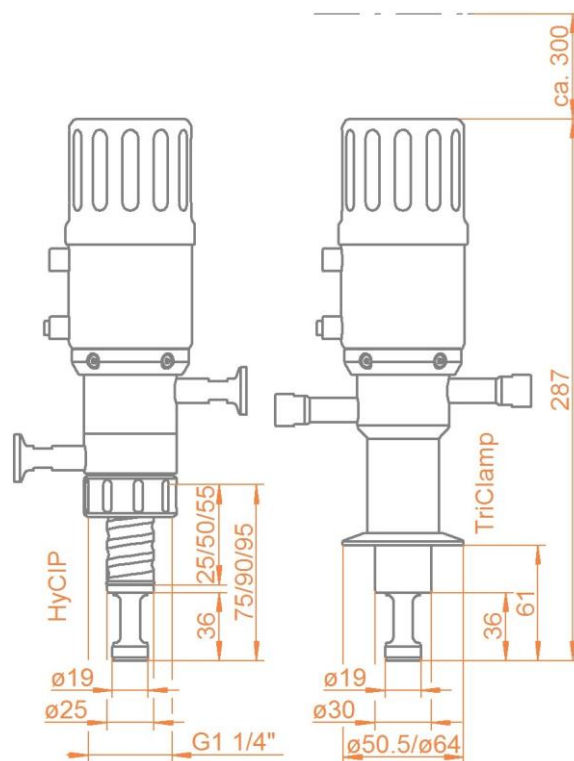
- » Hygienic design, EHEDG- / 3A-approved process connections
- » Automatic locking system with indicators for measurement- and service position
- » Automatic safety lock while sensor is removed
- » Safe handling under higher process pressure due to unique rotary drive
- » AISI 316L / 1.4404, surface finish Ra<0.78 electropolished
- » High variation of process connections and sealing materials
- » Up to 16 bar and 140 °C

EXtract 830M is a manually operated retractable probe housing made of stainless steel for hygienic installation of Ø12-225mm sensors on tanks or pipelines with an unique rotary drive unit.

Specifications

Process pressure	0...10bar
Process temperature	-10...140°C
Ambient temperature	-10...70°C
Sensors	Ø12-225mm PG 13.5
Materials	stainless steel 1.4404 /316L
Process surface	< Ra 0.78µm, electropolished
Sealings	EPDM FDA USP VI, FPM (Viton)
Process connection	Ingold DN25 G1¼", HyCIP® OP25/50/55mm, TriClamp 1.5", TriClamp 2", Varivent N DN40-125, Neumo BioControl D50, DIN11851 DN50
Cleaning ports	G1/8", G1/4", FNPT 1/4"
Drive unit	manual rotary drive
Limit switches	optional electrical NAMUR switches

Dimensions



EXtract 830M hygienic installation



Process Connection TriClamp 1.5" -
measuring position



Usable for industrial applications



Process Connection HyCIP® OP55 -
measuring position

Ordercode

Code	Material (wetted parts)	Delivery
4404	Stainless steel 1.4404 / 316L	2 weeks

Code	Sealing material (wetted sealings)	Delivery
EPD	EPDM/FDA/USP VI	2 weeks
FPM	FPM (Viton)	2 weeks

Code	Sensor type	Delivery
225	225mm PG 13,5 gel-filled	2 weeks
280	280mm PG 13,5 liquid filled	2 weeks

Code	Process connection	Delivery
IN28	Ingold DN25 G1 1/4" O-Ring-position 28mm	2 weeks
IH25	Ingold DN25 G1 1/4" HyCIP® - OP25mm	2 weeks
IH50	Ingold DN25 G1 1/4" HyCIP® - OP50mm	2 weeks
IH55	Ingold DN25 G1 1/4" HyCIP® - OP55mm	2 weeks
VARN	Varivent N DN40-125	3 weeks
TC15	TriClamp 1-1,5" (OD Ø50.5mm)	3 weeks
TC20	TriClamp 2.0 (OD Ø64mm)	3 weeks
BCT5	NEUMO BioControl D50	3 weeks
MV50	DIN 11851 DN50 (dairy connection)	3 weeks

Code	Cleaning connection	Delivery
G18	G 1/8" female thread	2 weeks
G14	G 1/4" female thread	2 weeks
N14	1/4" NPT female thread	2 weeks

Code	Position switch	Delivery
00	without	2 weeks