

EXtract 815M stainless steel for welding socket DN25



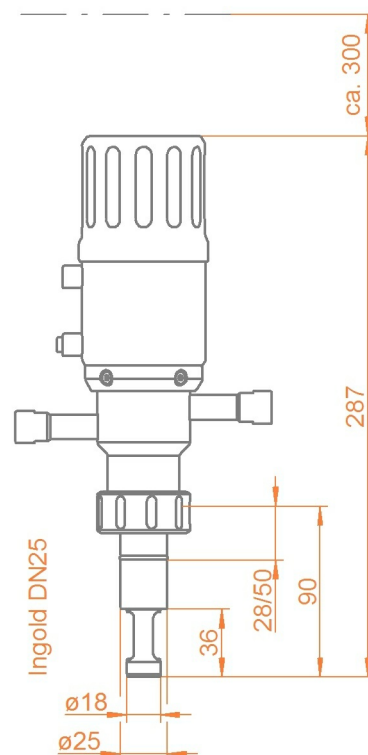
- » Robust design, integrated PTFE scraper
- » Automatic locking system with indicators for measurement- and service position
- » Automatic safety lock while sensor is removed
- » Safe handling under higher process pressure due to unique rotary drive
- » Stainless steel AISI 316L / 1.4404 or Alloy
- » Immersion length up to 90mm
- » Usable in ATEX-areas

EXtract 815M is a manual retractable holder made of stainless steel for installation of $\varnothing 12$ mm sensors on tanks or pipelines by welding sockets DN25. The unique rotary drive unit allows operating at process pressure rates up to 16bar.

Specifications

Process pressure	0... 16bar
Process temperature	-10... 140°C
Ambient temperature	-10... 70°C
Immersion length	up to 90mm
O-ring-position	28mm / 50mm
Sensors	$\varnothing 12$ -225mm PG 13.5
Materials	stainless steel 1.4404 / 316L, Alloy C22 (2.4602)
Sealings	EPDM, FPM (Viton), FFKM (Kalrez)
Process connection	G1 1/4" (DN25)
Cleaning ports	G1/8", G1/4", FNPT 1/4"
Operating power	manual
Limit switches	optional electrical NAMUR switches

Dimensions



EXtract 815M stainless steel for welding socket DN25



Protective cage with sensor in measuring position



Process sealing with integrated PTFE-scraper



Unlocking pins and position indicators on manual drive unit

Ordercode

Code	Material (wetted parts)	Delivery
4404	Stainless steel 1.4404 / 316L	2 weeks
HC22	Alloy C22 2.4602	4 weeks

Code	Sealing material (wetted sealings)	Delivery
EPD	EPDM/FDA/USP VI	2 weeks
FPM	FPM (Viton)	2 weeks
FKM	FFKM (Kalrez)	3 weeks

Code	Sensor type	Delivery
225	225mm PG 13,5 gel-filled	2 weeks
280	280mm PG 13,5 liquid filled	2 weeks

Code	Process connection	Delivery
IN28	Ingold DN25 G1 1/4" O-Ring-position 28mm	2 weeks
IN50	Ingold DN25 G1 1/4" O-ring position 50mm	3 weeks

Code	Cleaning connection	Delivery
G18	G 1/8" female thread	2 weeks
G14	G 1/4" female thread	2 weeks
N14	1/4" NPT female thread	2 weeks

Code	Position switch	Delivery
00	without	2 weeks